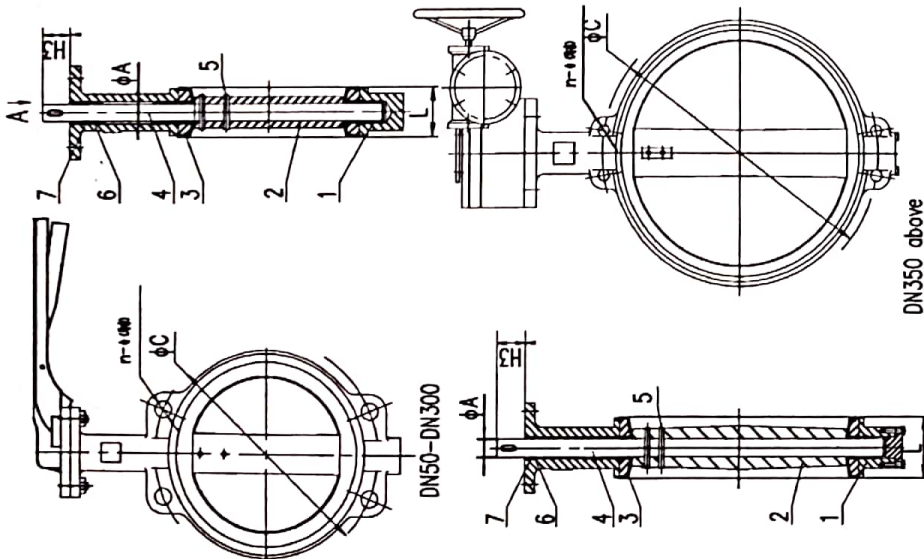
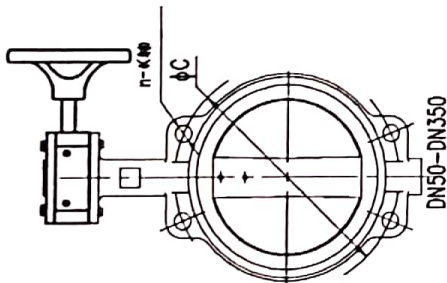
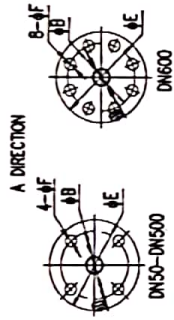


DN	H3	L	φA	φE	φB	φF	φD	DN PN10	DN PN16	API B16.1	JS 10K
DN50	30	45	12.7	92	70	9	12.7	125	125	4-φ18	120.5
DN65	30	48	12.7	92	70	9	12.7	145	145	4-φ18	139.5
DN80	30	49	12.7	92	70	9	12.7	160	160	4-φ18	152.5
DN100	30	55	15.8	92	70	9	15.8	180	180	4-φ18	160.5
DN125	30	58	19.05	92	70	9	19.05	210	210	4-φ18	216
DN150	30	59	19.05	92	70	9	19.05	240	240	4-φ23	241.5

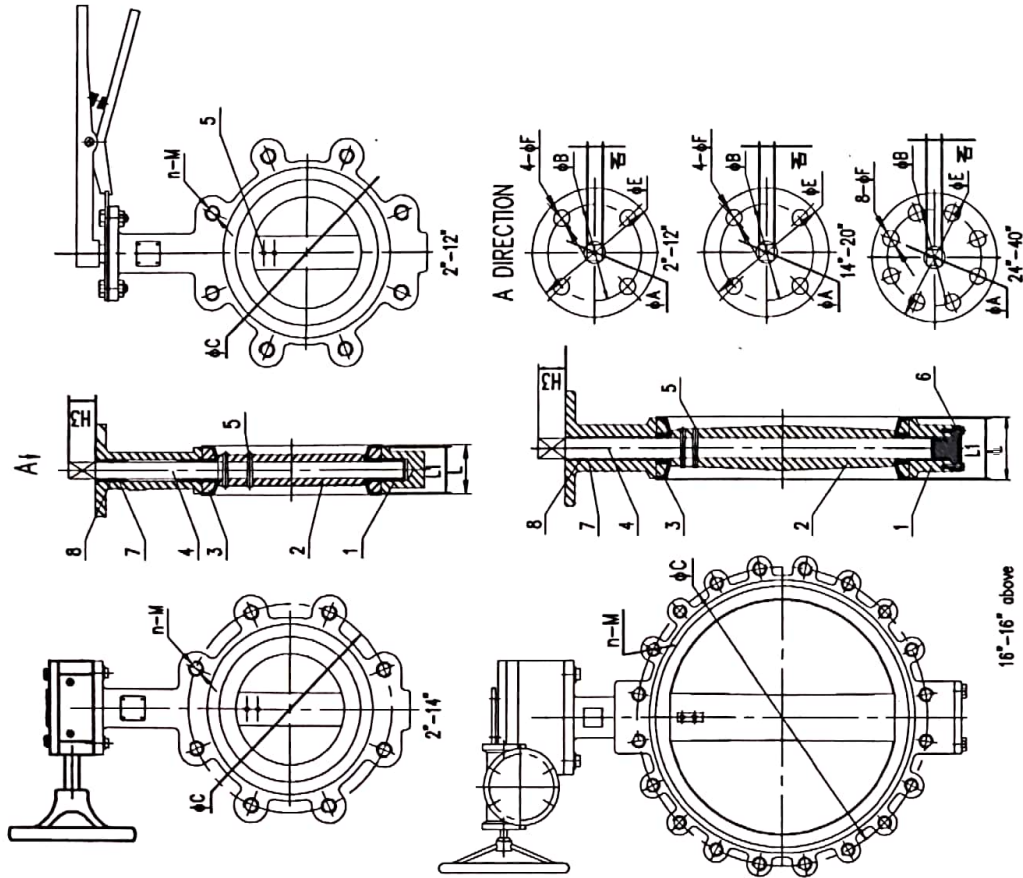


7	O-RING	BUNA-N
6	BUSHING	PIPE
5	PN	SS316
4	STEM	SS316
3	SEAT	BUNA-N
2	DISC	C-8M
1	BODY	Q
NO. PARTS NAME		MATERIAL
SEAL		SHELL
HYDROSTATIC		2"-12":30MPSI
INSPECTION & TEST		14"-24":22MPSI
END STANDARD		API 598
FACE TO FACE		ANSI B16.1/DIN PN10/16/JS 10K
FACE TO FACE		API 609

Rev.	A	Checked	Morris	Date	2020/6/8	Type	VS-BV
		Designer	Kevin <td>Scale</td> <td>Scaled to Fit <td>Describe</td> <td>WAFER BUTTERFLY VALVE</td> </td>	Scale	Scaled to Fit <td>Describe</td> <td>WAFER BUTTERFLY VALVE</td>	Describe	WAFER BUTTERFLY VALVE
		Drawn	Ray <td>Dwg_No.</td> <td></td> <td></td> <td>VS_ABV 150LB DN50~DN150 CI_221</td>	Dwg_No.			VS_ABV 150LB DN50~DN150 CI_221

**VALTEK (Shanghai) IND. CO., LTD.**

SIZE	H3	L	L1	HA	HE	HB	HF	HM	PN10		PN16		ANSI B16.1		JS 10K	
									ΦC	n-M	ΦC	n-M	ΦC	n-M	ΦC	n-M
1.5"	30	35	33	12.7	90	70	9	9	110	4-M16	110	4-M16	98.5	4-1/2"-13	105	4-M16
2"	30	46	42	12.7	90	70	9	9	125	4-M16	125	4-M16	120.5	4-5/8"-11	120	4-M16
2.5"	30	49	44.6	12.7	90	70	9	9	145	4-M16	145	4-M16	139.5	4-5/8"-11	140	4-M16
3"	30	49	44.6	12.7	90	70	9	9	160	8-M16	160	8-M16	152.5	4-5/8"-11	150	8-M16
4"	30	55	50	15.8	90	70	9	11	180	8-M16	180	8-M16	190.5	8-5/8"-11	175	8-M16
5"	30	58.5	53.8	19.05	90	70	9	14	210	8-M16	210	8-M16	216	8-3/4"-10	210	8-M20
6"	30	59	54	19.05	90	70	9	14	240	8-M20	240	8-M20	241.5	8-3/4"-10	240	8-M20
8"	36	64	59	22.2	125	102	11	17	295	8-M20	295	12-M20	298.5	8-3/4"-10	290	12-M20



8	O-RING	BRN-H	MATERIAL
7	BUSHING	TEFLON	
6	COVER	CI	
5	TAPER PIN	SS316	
4	STEM	SS420	
3	SEAT	BRN-H	
2	DISC	CF8M	
1	BODY	CI	
NO. PARTS NAME			
MATERIAL			
SEAL			
EPDM			
HYDROSTATIC			
BRN-H			
TEFLON			
14"-24"-100PSI			
14"-24"-100PSI			
INSPECTION & TEST			
AP1599			
END STANDARD			
PN10/PN16/ANSI B16.1/JS 10K			
DESIGN			
AP1609			

Rev. A			
Checked	Morris	Date	2020/6/8
Designer	Kevin	Scale	Scaled to Fit
Drawn	Ray	Dwg_No.	VS_LBV 150LB DN40~DN200 CI_221
		Type	VS-BV
		Describe	LUG BUTTERFLY VALVE

# VALTEK (Shanghai) IND. CO., LTD.