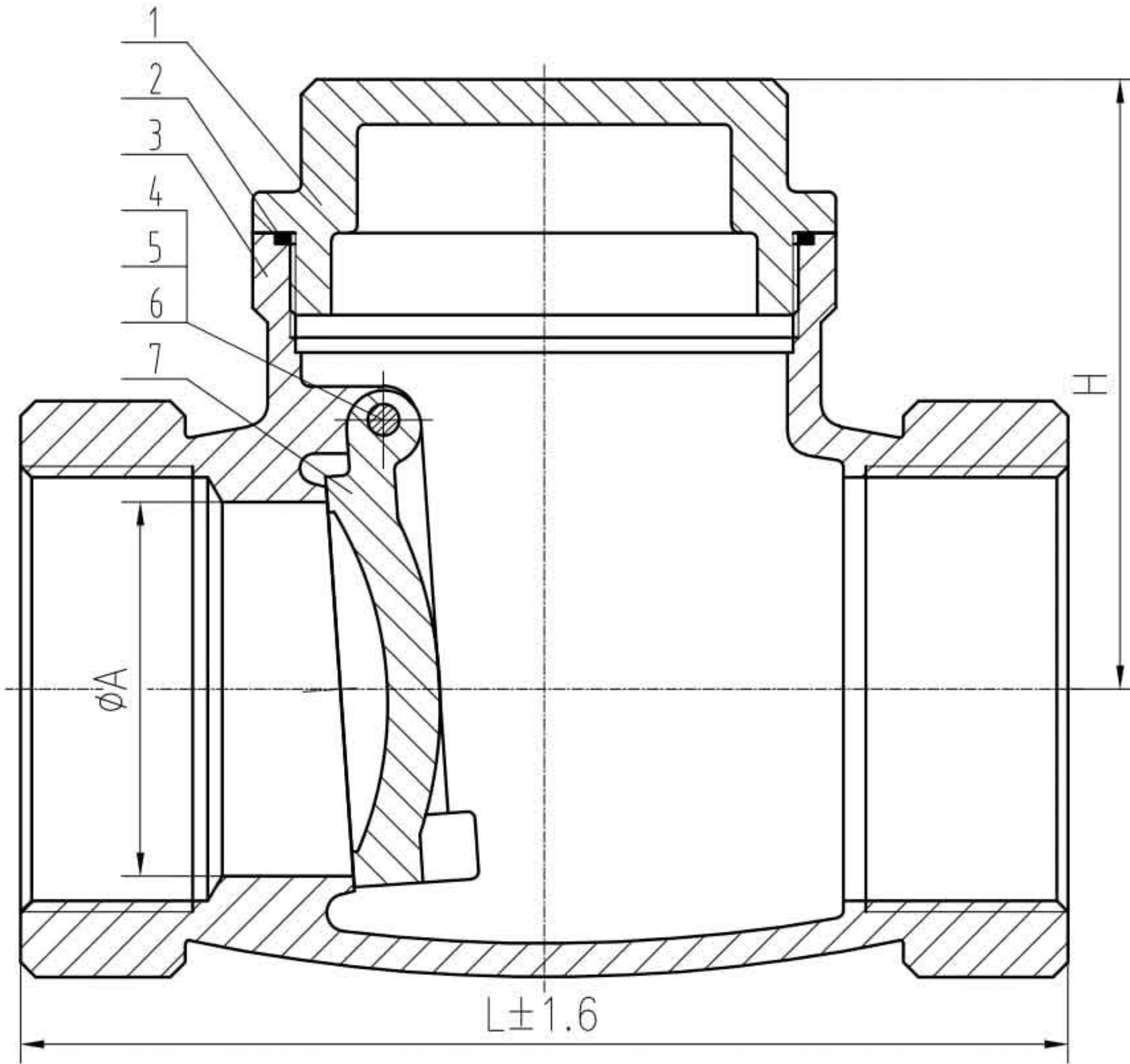


SUMPORT  
SUPLIDORES INDUSTRIALES Y DE LA CONSTRUCCION

Technical Data Sheet



Please note: This Drawing for reference only.

Main Technical Parameter			
Nominal pressure		200psi	
Test pressure	Shell test Pressure	2.1	Mpa
	Tightness test	1.6	
	Gas-Tightness test	0.4~0.7	
Max working temperature		-29~150°C	
Applicable medium: water, gas, oil			

CONFIGURATION DIMENSION

NPS	1/2"	3/4"	1"	1 1/4"	1 1/2"	2"	2 1/2"	3"	4"
A	15	20	25	31	37	47	65	76	95.5
L	64	78	87	101	117	134	165	191	238
H	40	45	50	58	64	72	90	107	145

MAIN PARTS AND MATERIALS

NO.	PART NAME	MATERIAL	NO.	PART NAME	MATERIAL
1	Bonnet	CF8/CF8M	5	Nut	304
2	Seal ring	PTFE	6	Seal ring	PTFE
3	Body	CF8/CF8M	7	Disc	CF8/CF8M
4	Pin	304	8		

Main Technical Parameter				ASSEMBLY DRAWING	
Nominal pressure		200psi		A351 SWING CHECK VALVE	
Test pressure	Shell	2.1			
	High-Pressure Closure	1.6			
	Low-Pressure Closure	0.4~0.7			
Applicable temperature		-29~450°C		<b>UNICIMA</b> TOKYO - JAPAN	
Applicable medium: water, oil, gas					