

HYDRONIC & STEAM HEATING PRODUCTS



FEED WATER REGULATORS

BALL VALVES

RELIEF VALVES

BACKFLOW PREVENTERS

IN-LINE CHECK VALVES

PIPELINE STRAINERS

BALANCING VALVES

PLUMBING SPECIALTIES



American Made Quality since 1928



A history of Quality, Service and Innovation

Now in its ninth decade, Conbraco Industries, Inc. is a leading manufacturer of flow control products for U.S. and international markets. The company's headquarters is based in Matthews, North Carolina with manufacturing plants and foundries located in Pageland and Conway, South Carolina.

Conbraco has a history of new product development and innovation that dates back to the company's inception in 1928. Today, the Conbraco line of products is marketed under the "Apollo Valves" brand and includes: ball valves, butterfly valves, backflow prevention devices, water pressure reducing valves, mixing valves, safety relief valves, water gauges, strainers, actuation and APOLLOXPRESS® products.

Conbraco's vertically integrated manufacturing ensures a consistency of production, testing, quality and availability. You can be assured that Conbraco flow control products will deliver long term reliability. All manufacturing facilities are ISO 9001:2008 certified.

The Conbraco line continues to expand with new products, designs and advanced materials to better serve the needs of our customers. Markets served include: chemical processing, pulp and paper, petroleum, residential and commercial plumbing and heating, OEM, irrigation, water works, and fire protection.



PAGELAND, SC
Bronze Foundry and Manufacturing Plant



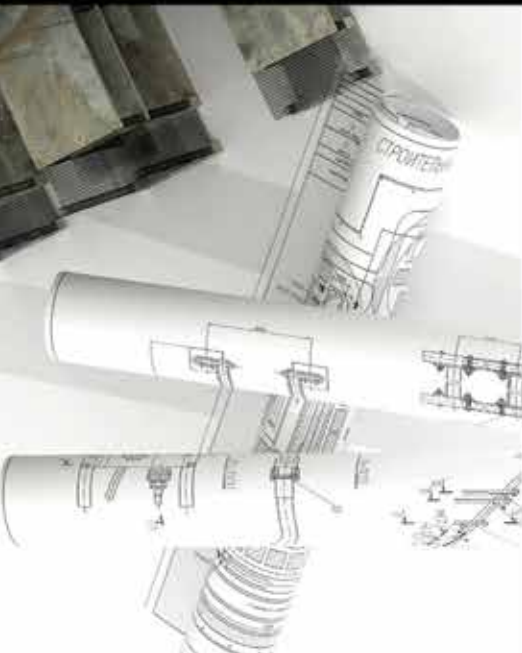
PAGELAND, SC
Final Assembly and Distribution Center



CONWAY, SC
Steel Foundry and Manufacturing Plant



MATTHEWS, NC
Corporate Headquarters



3D CAD DRAWINGS

available formats:
dwg, par, rfa, pdf & sat

Drawings also available for **LEAD FREE** models.

Throughout this catalog, products that have a Lead Free* option will be identified with this logo.



* **LEAD FREE:** The wetted surfaces of this product shall contain no more than 0.25% lead by weighted average. Complies with CA AB1953, VT Act 193, MD HB372, LA HB471 and Federal Public Law 111-380. ANSI 3rd party approved and listed.

** Any imported products are clearly identified as "Apollo International™".

Conbraco Industries offers a wide range of Apollo® products for potable and non-potable applications. When the use of lead free valves is required by code, specification or legislation, it is the sole responsibility of our customers to ensure that only lead free Apollo® products are installed in systems intended for potable water service. Further information related to our product offering and the federal Reduction of Lead In Drinking Water Act is available at www.apollovalves.com/lead_free, or by contacting Conbraco Customer Service.

HYDRONIC & STEAM HEATING PRODUCTS

TABLE OF CONTENTS

PRODUCT CATEGORIES

Backflow Preventers	9-11
Balancing Valves	6-7
Check Valves	20-21
Drain Valves	19
Expansion Tanks	8
Flow Control Valves	7-8
Gas Valves	30-35
Isolation Valves	24-28
Low Pressure Steam Valves	17-18
Mixing Valves	14-15
Pressure Reducing Valves	5-6
Radiator Air Valve	36
Stop & Waste Valves	28-29
Strainers	22-23
Safety Relief Valves	12-13
Water Gauges	36
Water Heater Products	18-19

HYDRONIC HEATING PRODUCTS

Model #	Series	Description	
PRE	36E	Compact Pressure Reducing Valve	5
FF	35	Feed Water Pressure Regulator	6
FFB	35-BF	Combination Backflow Preventer & PRV	6
58A	58A	Balancing Valve	6
58B	58B	Balancing Valve	7
FCT	35-403	Multi-Orifice Control Valve	7
FC	35FC	Flow Check Valve	7
BAV	58	Balancing Valve	8
PBSS	78-600	Purge, Balance & Shut-Off Valve	8
EXT	16-XT	Hydronic Expansion Tank	8
DCAP	40-400	Dual Check Backflow Preventer	9
RP 4A		Reduced Pressure Principle	10
AGD	40-200-X1	Air Gap Drains	11
RWW30	10-300	Section IV ASME Hot Water Relief Valves	12
RWW17	17-400	Pressure Only Relief Valve	12
RWW60	10-600	Section IV ASME High Capacity Relief Valves	13
TV	34-200	Hydronic Mixing Valve	14
MVA	34A	ASSE 1017 Mixing Valve	14
MVC	34C	ASSE 1017 High Capacity Mixing Valve	15
CG	26-100/300	Compression Gauge Cock	15

LOW PRESSURE STEAM HEATING PRODUCTS

Model #	Series	Description	
43-100	43-100	Steam Gauge Cock	16
SGS	27-400	Steam Gauge Siphons	16
RVS12	12-200	Steam Safety Valve	17
RVS13	13	Steam Safety Valve	17
RVS14	14-200	Steam Safety Valve	18

RELATED PRODUCTS

Model #	Series	Description	
TP	18C-400	Water Heater T&P Relief Valve	18
EXV	78-RV	Water Heater Shut-off With Thermal Expansion Valve	19
BD90	31	90° Drain Valves	19
BDQ	35-300-03	Ball Valve Bibb Faucet	19
CVBE	61-500	Soft Seat Check Valve	20
CVBES	61-600	Solder End Soft Seat Check Valve	21
70-100-BC	70-100-BC	Ball Valve With Integral Check	21
161S/161T	61Y	Bronze Disc Swing Check	22
101S/101T	30	Rising Stem Gate Valve	22
102S/102T	30	Non Rising Stem Gate Valve	22
YB	59	NPT "Y" Strainer	23
YBS	59-300	Bronze Sweat End "Y" Strainer	24
YCT	YCT	Cast Iron Threaded Y-Strainer	24
70-100	70-100	Ball Valve	25
70-200	70-200	Solder End Ball Valve	25
77F	77F	Full Port Threaded Brass Ball Valve	26
64	64	International Ball Valve	26
77W	77W	APOLLOXPRESS® End Ball Valve	27
77W-HC	77W-HC	APOLLOXPRESS® Hose End	27
77V	77V	APOLLOXPRESS® Press End Forged Ball Valve	27
70-HC	70-HC	Cap And Chain Ball Valve NPT x Hose End	28
70-10X-92	70-10X-92	Ball Valve With Balancing Stop	28
70-100-94	70-100-94	Ball Valve With Balancing Stop & Stem Extension	28
94A	94A	Economy Ball Valve	29
95A	95A	International Ball Valve With Stop & Waste	29
95-200	95-200	Solder End Ball Valve With Stop & Waste	30
GBVB	GB-50	Gas Main Burner Ball Valve	31
GBVU	GB-16	Gas Appliance Ball Valve	32
GBV	GB-10	Gas Shut-Off Ball Valve	32
GCA	50-56	Gas Cocks	33-35
WG	20	Water Gauges	36

MISCELLANEOUS

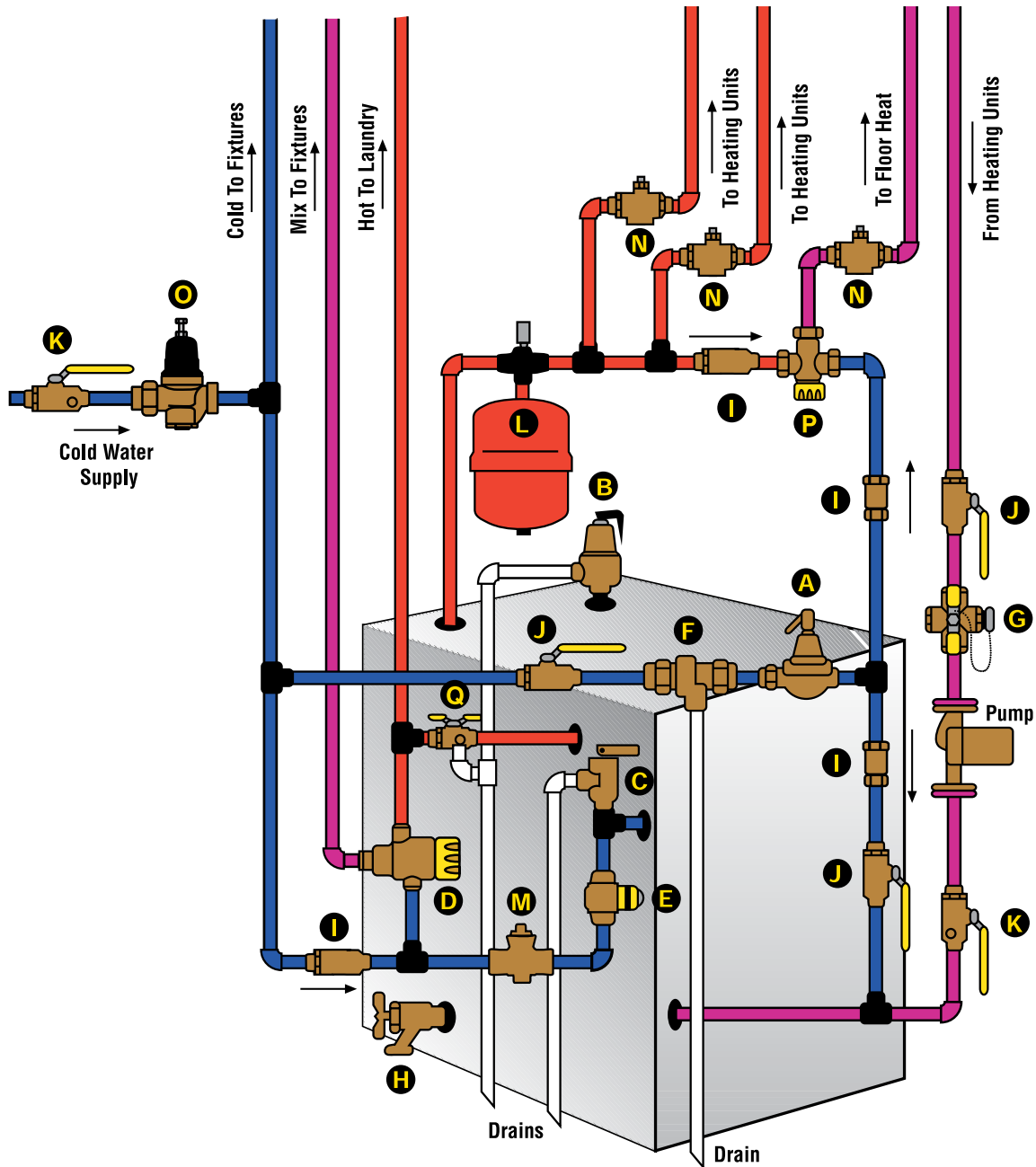
Model #	Series	Description	
RAV	27-202-02	Radiator Air Valve	36
		Formulas, Conversion Factors & Useful Data	37
		Warranty & Limitations Of Liability	38



for additional information, submittal sheets and manuals, visit www.apollovalves.com

Customer Service (704) 841-6000

HYDRONIC & STEAM HEATING PRODUCTS



- A Bronze Body Feed Water Regulator** – 35-703-01 (FFS12)
- B ASME Section IV Water Boiler Safety Relief Valve**
– 10-102-05 (RVW10F)
- C Pressure Relief Valve (Tankless Coil)** – 17-401-04 (RVW1712150)
- D Thermostatic Mixing Valve** – 34A-200(MVA)
- E Flow Control Valve (Tankless Coil)** – 35-403-01 (FCT12)
- F Backflow Preventer** – 40-4A3-3AM (DCAP12)
- G Purge/Balancing Valve** – 78-668-01 (PBSS34)
- H Boiler Drain Valve** – 31-202-04 (BD9034)

- I Bronze Check Valve** – 61 Series (CVB)
- J Apollo® Ball Valve** – 70 Series
- K Apollo® Ball Valve – Stop and Drain** 95-204-01
- L Hydronic Expansion Tank** – 16-XT (EXT)
- M Balancing Valve** – 58-004-01 (BAV34)
- N All Bronze Hydronic Flow Check** – 35-FC Series (FC)
- O Bronze Body Water Pressure Reducing Valve** – 36E Series (PRE)
- P Hot Water Tempering Valve** – 34 Series (TV)
- Q Thermal Expansion Control Valve** – 78 RV Series (EXV)

HYDRONIC & STEAM HEATING PRODUCTS

Mixing Valves "Point of Source"

MODEL MVC



COMMERCIAL HIGH CAPACITY MIXING VALVES

34C Series ASSE 1017 listed, high-capacity mixing valves are thermostatically controlled regulating valves designed for use in large commercial potable and non-potable hot water systems or "point of source" applications. Simple adjustment of water temperature from 90°-140°F or 130°-180°F.

FEATURES

- Sizes: 3/4", 1", 1-1/4", 1-1/2", 2"
- Low temp range (90°-140°F)
- High temp range (130°-180°F)
- Threaded connections
- Installs easily on heating source
- Patented design for easy in-line maintenance
- Supply pressures to 150 psig
- U. S. Patent No. 6,328,219
- CSA B125.01

Size (in.)	Low Temp.* Model No. 90°-140° F	Low Temp.* Part No. 90°-140° F	High Temp. Model No. 130°-180° F	High Temp. Part No. 130°-180° F
3/4	MVC34	34C-104-01	MVCH34	34C-104-H1
1	MVC1	34C-105-01	MVCH1	34C-105-H1
1-1/4	MVC114	34C-106-01	MVCH114	34C-106-H1
1-1/2	MVC112	34C-107-01	MVCH112	34C-107-H1
2	MVC2	34C-108-01	MVCH2	34C-108-H1

*ASSE 1017 Certified

Plumbing Specialties

MODEL CG



COMPRESSION GAUGE COCKS

For draining expansion tanks, other liquid storage vessels.

FEATURES

- **(CG) 26-100:** rated up to 125 psig
- **(CGH) 26-300:** soft metal seat/stuffing box rated up to 250 psig
- **(CGB) 26-310:** stainless steel ball seat/stuffing box rated up to 250 psig

Model Number	Size Number	Pipe Size (in.)	Wt./100 (lbs.)	Wheel Type
CG38	26-101-01	3/8	25.0	ALUMINUM
CGC38	26-102-01	3/8	30.0	COMPOSITION
CG12	26-104-01	1/2	28.3	ALUMINUM
CGC12	26-105-01	1/2	30.0	COMPOSITION
CGH38	26-301-01	3/8	39.0	ALUMINUM
CGHC38	26-302-01	3/8	40.0	COMPOSITION
CGH12	26-304-01	1/2	40.0	ALUMINUM
CGHC12	26-305-01	1/2	44.0	COMPOSITION
CGH34	26-307-01	3/4	49.0	ALUMINUM
CGHC34	26-308-01	3/4	51.7	COMPOSITION
CGB38	26-311-01	3/8	39.0	ALUMINUM
CGBC38	26-312-01	3/8	42.0	COMPOSITION
CGB12	26-314-01	1/2	40.0	ALUMINUM
CGBC12	26-315-01	1/2	44.0	COMPOSITION
CGB34	26-317-01	3/4	50.0	ALUMINUM
CGBC34	26-318-01	3/4	50.0	COMPOSITION

*26-100 series is not available with packing nut

Specify the following suffix for finish: 01 - Satin Brass; 28 - Polished Brass.