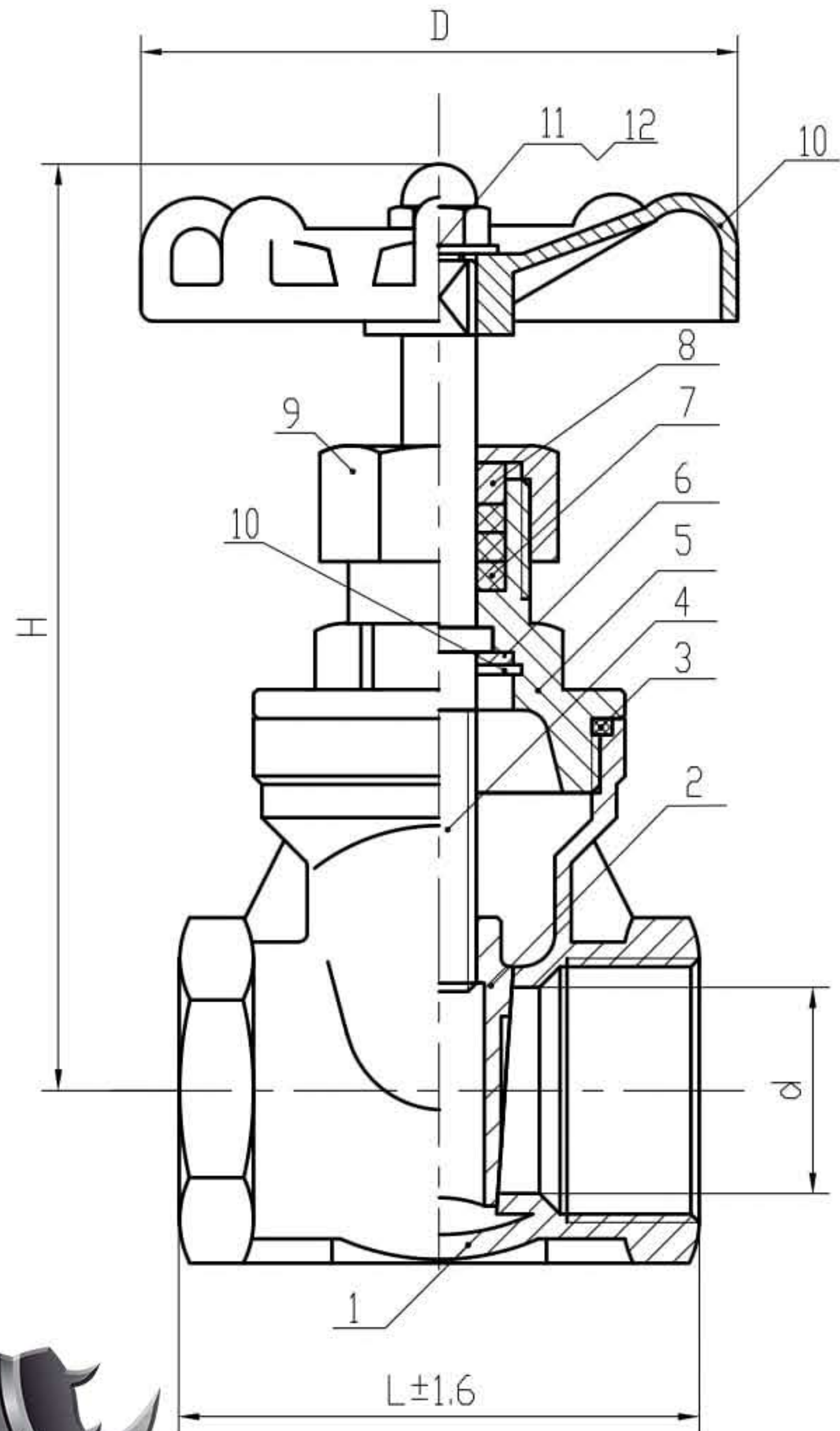




Please note: This Drawing for reference only.



CONFIGURATION DIMENSION

NPS	1/2"	3/4"	1"	1 1/4"	1 1/2"	2"	2 1/2"	3"
d	14.5	19	24	30	38	48	61	74
H	95	105	115	130	145	160	210	230
L	54	60	63	71	78	88	107	116

MAIN PARTS AND MATERIALS

NO.	PART NAME	MATERIAL	NO.	PART NAME	MATERIAL
1	Body	CF8/CF8M	8	Gland	stainless steel
2	Disc	CF8/CF8M	9	Nut	stainless steel
3	seal Ring	PTFE	10	Handwheel	HT200
4	Stem	304/316	11	pad	stainless steel
5	Bonnet	CF8/CF8M	12	Nut	stainless steel
6	Thrust Gasket	PTFE	13	jump ring	stainless steel
7	Packing	PTFE	14		

Main Technical Parameter		
Nominal pressure		200PSI
Test pressure	Shell	2.1
	High-Pressure Closure	1.6
	Low-Pressure Closure	0.4~0.7
Applicable temperature		-29~180°C
Applicable medium: water, oil, gas		

ASSEMBLY DRAWING	
A351 GATE VALVE	
UNICIMA	
TOKYO - JAPAN	

